

## VII. Warning Items

- Turn the appliance Off and remove the power cord from the electrical outlet when not in use, before assembling or disassembling parts and before cleaning. There are still parts of the standby power on state, due to insulation deterioration or leakage of electricity caused by fire.
- Extension cords are not recommended for use with this product.
- DO NOT spray volatile oils, paints, insecticides on products. Or it will cause electric shocks, fire accidents.
- To unplug, grasp the plug and pull from the electrical outlet. Never pull from the power cord. Make sure that the plug fits tightly with the socket when use. There must be no loosening or incomplete insertion.
- DO NOT use sockets other than the voltage on rating label. The use of power sources other than the voltage indicated on rating label, or sockets with insufficient current is the main cause of fire.
- DO NOT trample on the power cord. Damage to the power cord or socket is the cause of leakage and burns. If the power cord is damaged, it must be replaced by the manufacturer or his service office or a similarly qualified person to avoid danger.
- DO NOT allow products to be inhaled or put into combustible substances. And shall not be used where mechanical oil composition floats. It can cause cracks, odors and fire accidents.
- DO NOT use wet places such as bathrooms. Can cause poor insulation, causing a leakage or malfunction.
- DO NOT use damaged power cords or plugs. This is the cause of electric shock short circuit and fire.
- DO NOT unplug the power cord with a wet hand.

## VIII. Fault Analysis

Fault phenomenon	Cause Analysis	Exclusion Methods
Not power on	1. The power cord is not plugged in. 2. The stirring cup and the main engine are not assembled properly.	1. Check the power cord to make sure it is plugged in. 2. Make sure that the mixing cup and the main machine are installed properly.
Stopped during working	1. Long working hours, motor overheat protection. 2. Motor gets overload protection	1. Wait an hour before reusing. 2. Press the overload reset button at bottom of motor base.

### Note:

Above are common trouble analysis and troubleshooting methods. For other troubles, please contact our customer service department, Do not dismantle and repair yourself.



Do not dispose of electric appliances as unsorted municipal waste, use separate collection facilities.

Contact you local government for information regarding the collection systems available.

If electrical appliances are disposed of in landfills or dumps, hazardous substances can leak into the groundwater and get into the food chain, damaging your health and well-being.

## IX. Important Guide

**Automatic Overload Protection:** Your OMMO blender motor is designed to protect itself from overheating. If the motor shuts off, follow these instructions:



- Reduce the quantity of the ingredients in your container.
- Press the overheat protection reset button under the motor base.
- Turn off the machine for up to 20 minutes to reset. Reset time will be extended if high room temperatures exist. To reduce the reset time, unplug the machine, remove the jug and blow air into the center section of the bottom with a fan or hair dryer on the cool setting.
- Blend on higher speed to avoid overheating. Blending on a low or medium speed can cause overheating.

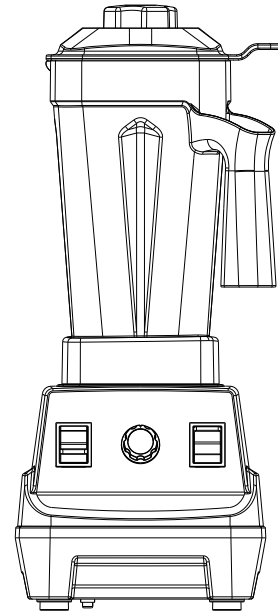
### CONTACT INFORMATION

Website: [www.ommohome.com](http://www.ommohome.com)  
mail: [service@ommohome.com](mailto:service@ommohome.com)



# OMMO

## High Speed Blender Operating manual HS-202

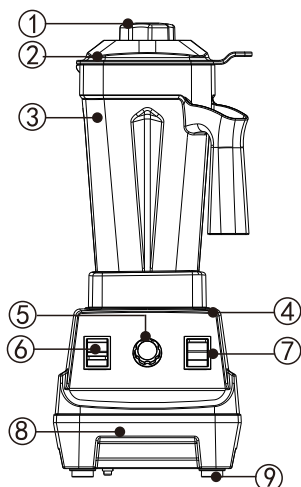


- ◆ Thank you for your trust and support to our products!
- ◆ Please use the corresponding model.  
The product is subject to the material object.
- ◆ Please read this manual carefully before use and save it for future reference.

## ➤ Introduction

Thank you for choosing our High Speed Blender. All the staff of our company will serve you wholeheartedly. In order to use this machine correctly and effectively, please read this manual carefully before using .

## ➤ I. Major Component Name



Pictures are for reference only,  
please refer to the material object!

- ① steam cap    ② cup cap    ③ mixing cup  
④ Face cover    ⑤ speed control knob    ⑥ start switch  
⑦ PULSE    ⑧ rubber feet

## ➤ II. Points for Attention

- Do not put metal objects such as knives, forks, spoons, etc. into the cup.
- When cleaning, do not clean the knife directly by hand. If you use cleaning tools, please pay attention to safety.
- The contents of the cup should not be too full. Do not exceed two thirds of the capacity of the cup.  
Please close the lid of the cup when using.
- Before starting, make sure the cup is on the base. It is completely fixed on.
- Because of the high horsepower, please hold the cup slightly when you start to use it.
- Be sure to cover the cup when using the stirring bar while the motor is running.
- Whether the cup is placed on the table or not.  
Do not use your hand to fetch food from that cup because the blade is sharp and easy to cut.
- To pour food out, remove the cup from the frame.
- Be careful to touch the switch before and after start-up.
- Utensils cannot be immersed in water.



Care should be taken when handling cutting blades especially when removing blades from containment cups, emptying containment cups, and during cleaning

## ➤ III. Safety Matters

- Remember to pull off the plug when not in use.
- Do not lift the lid of the cup until the stirring knife has completely stopped rotating.
- Be sure to separate the frame from the cup when cleaning and make sure to pull off the plug first.
- Do not immerse the motor base in water or put it in the dishwasher for cleaning.
- Keep a proper distance to prevent the child from improper movement and causing danger when the child is not allowed to be nearby during the start-up.
- If the power cord is damaged, it must be replaced by a professional in the manufacturer's maintenance department or similar department in order to avoid danger.

## ➤ IV. Main Technical Parameters

Rated voltage: AC110V~120V

Power: 1400W

Rated capacity: 1.8L

## ➤ V. Cleaning and Maintenance Methods

### HOW TO CLEAN

- **CAUTION:**  
Make sure that the motor base is unplugged from the power source before cleaning.
- **CAUTION:**  
DO NOT immerse the motor base into water or any other liquid.
- **CAUTION:**  
The blade assemblies can not be removed from cup.  
1. Separate/remove all parts from each other.  
2. The containers, lids and blade assemblies are all dishwasher safe. But the blade assemblies can not be removed from cup before placing in the dishwasher.  
3. Wipe the motor base clean with a damp cloth.

## ➤ VI. Function Introduction

- Plug the appliance into a socket and the system is in the standby state.
- **START/STOP:**  
1) Press START/STOP, the BLENDER will start working immediately; press START/STOP again, it will stop working;  
2) When the BLENDER is running, you can rotate SPEED to the desired speed;
- **PULSE:**  
When you press the PULSE button, the appliance runs at its highest speed as long as you keep pressing on it. It stops immediately once you release it.;
- **SPEED:**  
1) Speed can be adjusted according to your needs when BLENDER is running;  
2) Speed adjustment does not affect PULSE on the default setting;